

Septic System Survival

DO NOT use a garbage disposal.
DO NOT pour grease or oils down the drain.
DO NOT flush anything down the drain that is not biodegradable.

- Disposable Diapers
- Condoms
- Feminine Hygiene Products
- Anything Plastic
- Etc.

DO NOT discharge water softener regeneration to the system.

DO NOT use any type of additive in your system. They do not work and can actually cause you problems.

DO have your septic tanks pumped every 3-5 years.

DO have a second septic tank installed. This will reduce your solid output to your disposal field by approximately 25%.



1250 Gallon Septic Tank

Tank Warranty

Standard concrete septic tanks should not be more than 48 inches below ground level. If the tank is to be deeper or if any vehicular traffic is expected over the tank, a specially designed tank must be installed. Boom Concrete, Inc. concrete tanks (septic, cistern, or well pit) when installed in accordance with the manufacturer's instructions are warranted against defective materials and/or workmanship for 5 years from date of delivery to the project site. Boom Concrete, Inc. liability is limited to the value of the concrete tank itself and excludes the cost of installation and/or removal.

Boom Concrete, Inc.
 220 Girard Ave.
 PO Box 437
 Newell, SD 57760

Phone: 605-456-2600
 800-464-2600
 Fax: 605-456-6060
 Email: concrete@boomcon.com
 Web: www.boomcon.com
 January 1, 2018

SEPTIC TANKS	1 OR 2 PIECE	COMPARTMENTS	WIDTH	LENGTH	HEIGHT	INLET	OUTLET	RISER POLYLOK	WEIGHT	WYO CERTIFIED SEPTIC?
500 GALLON	1	1	50"	96"	44"	30"	28"	6"	3500	
1000 GALLON	1	1	67"	96"	59"	49"	46"	6"	4 TON	
1000 GALLON (WYO)	1	1	56"	106"	67"	58"	54"	6"	4 TON	YES
1000 GALLON 2 pc	2	1	50"	96"	80"	71.25"	68"	6"	3 TON	
1250 GALLON 2 pc	2	1	72"	102"	82"	68"	65"	6"	5 TON	
1500 GALLON	1	1	67"	144"	59"	49"	46"	6"	6 TON	
1500 GALLON (WYO)	1	1	56"	144"	67"	58"	54"	6"	6 TON	YES
1500 GALLON	1	2	67"	144"	59"	49"	46"	6"	6 TON	
1500 GALLON (WYO)	1	2	56"	144"	67"	58"	54"	6"	6 TON	YES
2500 GALLON 2 pc	2	1	84"	144"	72"	61"	58"	6"	8 TON	
2500 GALLON 2 pc	2	2	84"	144"	72"	61"	58"	6"	8 TON	

Septic Tank Sizes and Dimensions

Septic Tanks



- 500 Gallons
- 1,000 Gallons
- 1,250 Gallons
- 1,500 Gallons
- 2,500 Gallons

BOOM
 CONCRETE, INC.
 Newell, S.D.

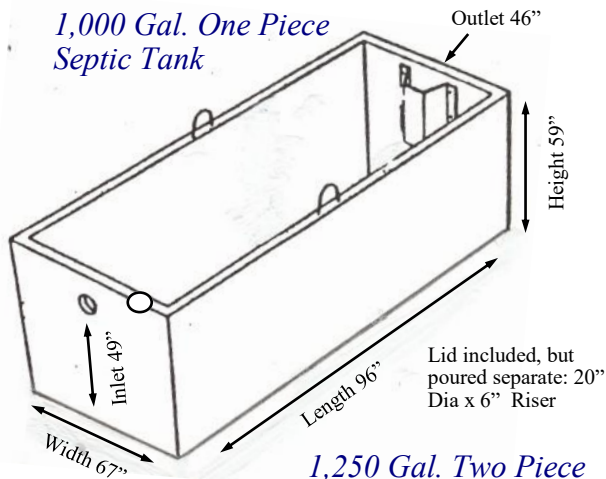
Quality Concrete Products



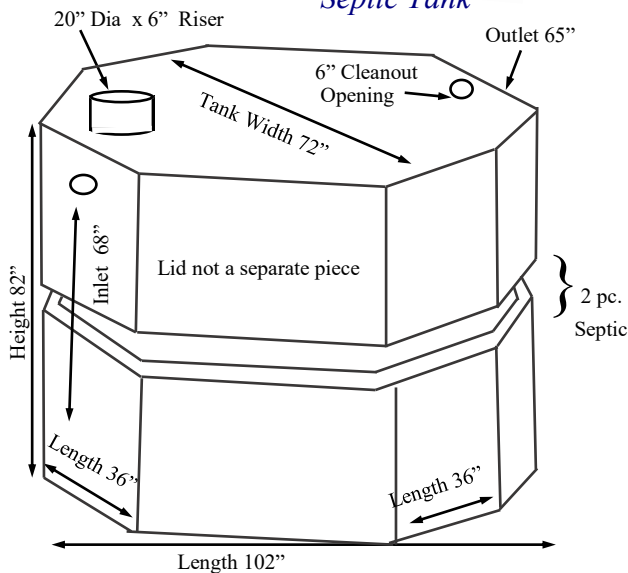
BOOM CONCRETE SEPTIC TANKS

- Complete tanks with no assembly.
- Quick and easy setting in the hole.
- Meet or exceed County and State Codes.
- Tanks are extra-reinforced.
- Tanks are produced in a climate controlled, indoor plant.
- Each septic tank has 20" openings in the top of the tank to be used for servicing.

**1,000 Gal. One Piece
Septic Tank**

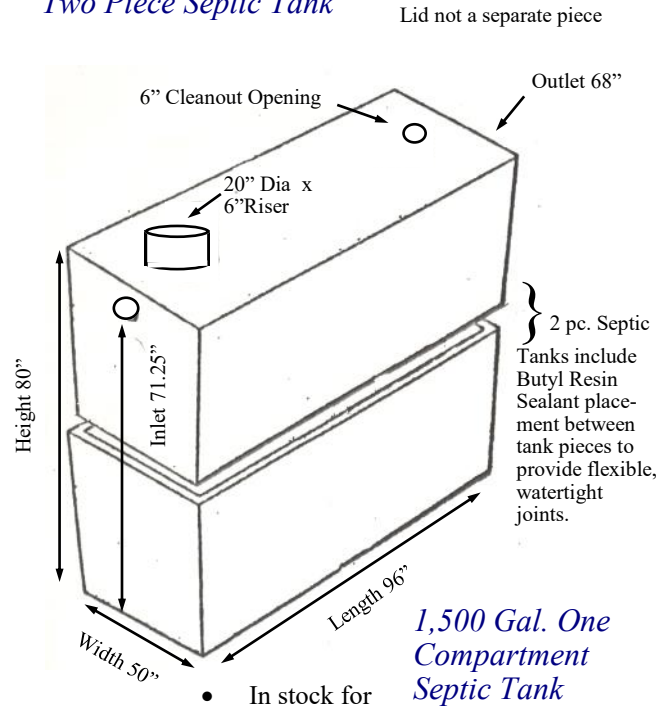


**1,250 Gal. Two Piece
Septic Tank**

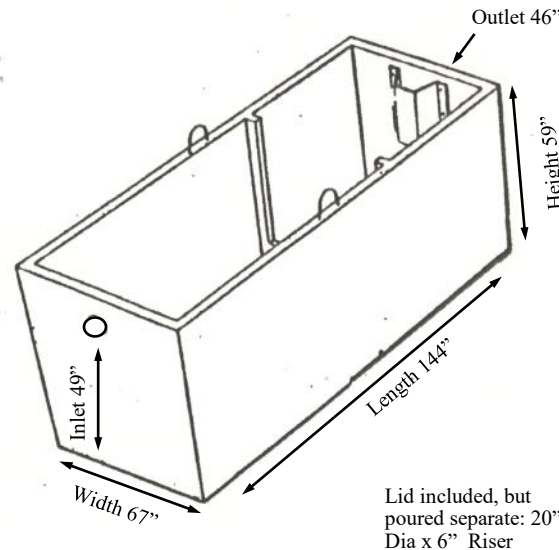


** (Septic Tank drawings not to scale) Tank height is figured from bottom of tank to top of lid. Inlet and Outlet is figured from bottom of tank to bottom of inlet or outlet)*

**1,000 Gal.
Two Piece Septic Tank**



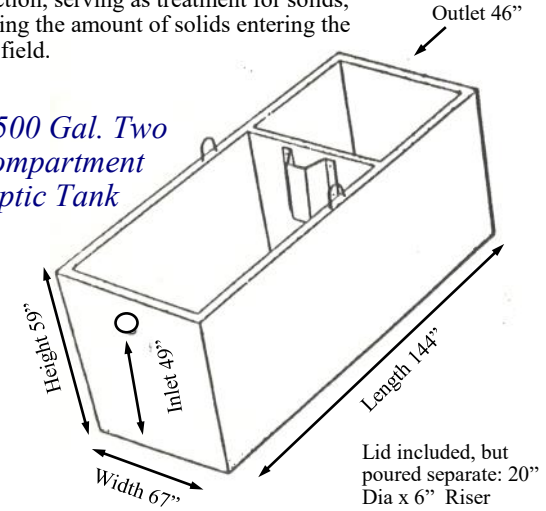
**1,500 Gal. One
Compartment
Septic Tank**



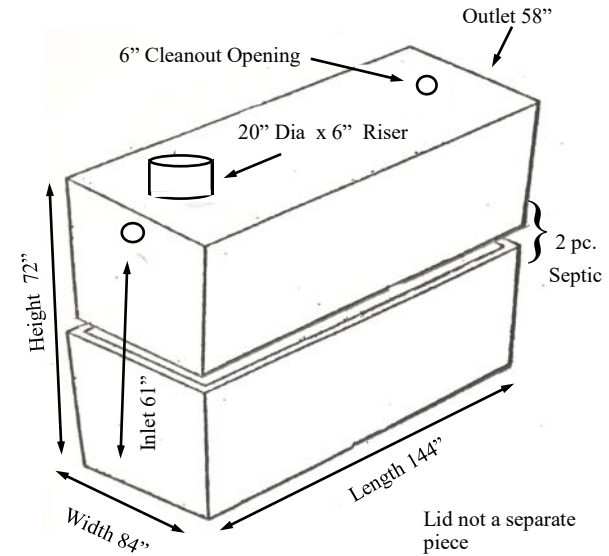
**All septic tanks come with a 6" Polylok riser and lid. Polylok 12" riser extensions are also available.*

** Two Compartment System has more bacterial action, serving as treatment for solids, reducing the amount of solids entering the drain field.*

**1,500 Gal. Two
Compartment
Septic Tank**



**2,500 Gal. 2 Piece,
One or Two Compartment
Septic Tank**



- **Wyoming certified tanks also available and are listed on the size chart on back side.**
- **Tanks in stock for immediate delivery.**